

FM07, 7-inch Vehicle Mounted Computer

A Rugged Vehicle Mounted Computer for Data Collection in Warehouse and Logistics Applications

FM07 is a rugged vehicle mounted computer delivering flexibility and mobility in a vehicle-mount form factor; designed to be easily mounted on a vehicle. FM07 fits seamlessly into forklifts and other warehouse vehicles. It will help minimize errors, streamline ordering and inventory management, and improve operational efficiencies. The processing power comes from Intel® Celeron N3350 (Apollo Lake) processor. The computer features a brilliant projected capacitive multi-touch screen, and offers 1024 x 600 pixel resolution.



Highlights

- Intel® Celeron N3350 (Apollo Lake) Processor
- 7" 1024 x 600 panel with projected capacitive multi-touch screen
- Wide power input 9-36V DC with ignition
- M12 waterproof connectors
- IP65 waterproof and dustproof
- Wi-Fi, BT, WLAN and GPS for wireless connectivity
- Wide operating temperature range -20°C to 60°C
- Shock and vibration resistance according to MIL-STD-810G

FM07, 7-inch Vehicle Mounted Computer

A Rugged Vehicle Mounted Computer for Data Collection in Warehouse and Logistics Applications

Display Specification

Size	7-inch display
Resolution	1024 x 600
Brightness	1000 nit
Touch	Projected capacitive multi-touch
Contrast Ratio	700:1
Viewing Angle	75/75/75/70

System Specification

Processor	Intel® Celeron N3350, 2M Cache
System Memory	2GB SODIMM DDR3L-1600 (up to 8GB) ¹
Storage	64GB M.2 MLC solid state drive SSD
Operating System	Windows® 10 IoT Enterprise, Ubuntu 16.04

Wireless Communication

WLAN	802.11 a/b/g/n/ac
Bluetooth	Bluetooth 4.0
GPS	u-Blox Neo-M8N
WWAN	Optional LTE : B1/B2/B3/B4/B5/B7/B8/B13/B17/B20 WCDMA/HSDPA/HSUPA/HSPA+ : 850 MHz/900 MHz/1700 MHz (AWS)/ 1900 MHz/2100 MHz GPRS/EDGE

Interface

Computer	1 x RS232 1 x Gigabit Ethernet LAN 10/100/100 Mbps (M12 type) 1 x Power input 9-36V DC with ignition 1 x SIM Card Slot 2 x USB 5 x DI; 3 x DO 2 x CANBUS Wi-Fi Antenna Bluetooth Antenna Optional WWAN Antenna Optional GPS Antenna
----------	---

Keyboard and Input

Touch	Projected capacitive
Button	• On-screen QWERTY keyboard • Front : 5 x function key (Programmable function key configured by Hottab Utility) • Top : 1 x Power button
LED Indicators	Power, Storage

Audio

Speaker	1 Watt speaker, located on the back cover
---------	---

Mechanical and Environment

Dimension (W x L x H)	189.93 x 145.93 x 39.8 mm (7.47 x 5.75 x 1.56 inches) ²
Weight	1.0 kg (2.20 lbs)
Housing	Back cover aluminum housing
Mounting	RAM Mount, VESA Mount (75x75mm)
Cooling System	Fanless design
Operating Temperature	-20°C to 60°C (-4° to 140° F)
Humidity	10% to 95% RH, non-condensing
IP Proof	IP65, dustproof and waterproof
Shock	MIL-STD-810G Method 516.6 Procedure I, 30 g for 18 ms, 300 m/s ²
Vibration	MIL-STD-810G Method 514.6 Procedure I, 1.60/ 1.96/ 2.18 g rms for XYZ/ 5-500 Hz
Certifications	CE, FCC

Power Management

Power Input	9V-36V, with ignition control
-------------	-------------------------------

Accessories

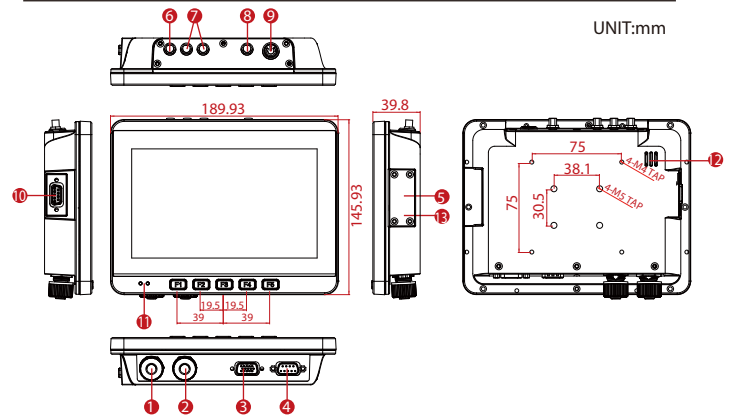
Standard Accessories ³

User Guide	91521111109C
Driver CD	91711111103X
M12 Power Cable	94J004L040K1
M12 LAN Cable	94I0120080K0
USB Cable	9483098080K0
RS232 Cable	94G3094090K2
CANBUS Cable	94E215L140K0
WIFI Antenna	397SM0000002

Optional Accessories

Audio Cable	94E215R060K0
Mounting Kit 1 – No Drill Solution	98K000A0005Y
Mounting Kit 2 – Drill Solution	98K000A0006P
Mounting Kit 3 - Keyboard Mounting	98K000A000A0
WWAN Antenna	397SM000000C
GPS Antenna	397SM000000G

Drawing ⁴



Do not expose bare skin to this product when handling this unit in extreme hot or cold environments

- Total usable memory will be less depending upon actual system configuration.
- Length measurements do not include protrusions. Weight varies with options.
- Accessories may vary depending on your configuration.
- This is a simplified drawing and some components are not marked in detail.