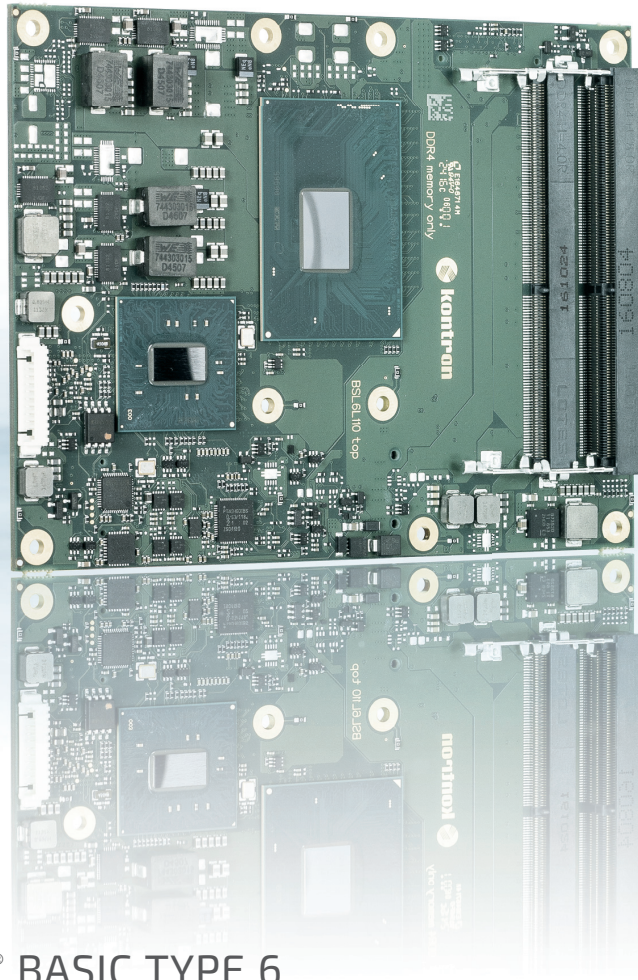


# COMe-bKL6

---



## COM EXPRESS® BASIC TYPE 6 WITH 7th GENERATION Intel® Core™ / Xeon® PROCESSORS

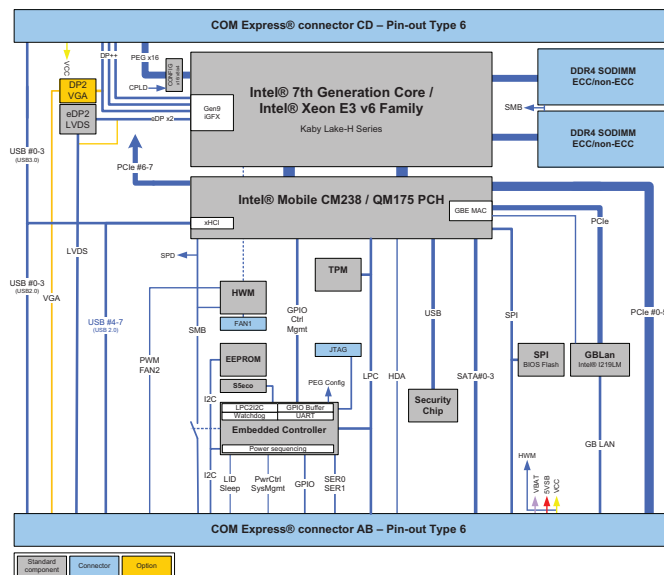
- ▶ Intel® 7th Generation Core™ series / Xeon® E3 v6 family with CM238/QM175 PCH
- ▶ Up to 32 GByte DDR4 non-ECC/ECC memory
- ▶ Support of Kontron's Embedded Security Solution (Approtect)
- ▶ Support of Intel® Optane™ memory technology via PCIe

POSSIBILITIES START HERE



## TECHNICAL INFORMATION

COMPLIANCE	COM Express® basic, Pin-out Type 6
DIMENSIONS (H x W)	125 x 95 mm
CPU	Intel® Xeon® E3-1505M v6, 4x 3.0 GHz (4.0 GHz), GT2, 45/35 W Intel® Xeon® E3-1505L v6, 4x 2.2 GHz (3.0 GHz), GT2, 25 W Intel® i7-7820EQ Core™ i7, 4x 3.0 GHz (3.7 GHz), GT2, 45/35 W Intel® i5-7440EQ Core™ i5, 4x 2.9 GHz (3.6 GHz), GT2, 45/35 W Intel® i5-7442EQ Core™ i5, 4x 2.1 GHz (2.9 GHz), GT2, 25 W Intel® i3-7100E Core™ i3, 2x 2.9 GHz, GT2, 35 W Intel® i3-7102E Core™ i3, 2x 2.1 GHz, GT2, 25 W
CHIPSET	Intel® Mobile CM238 / Intel® Mobile QM175 (Core™ i5 & Core™ i7)
MAIN MEMORY	2x DDR4-2400 SO-DIMM up to 2x 16 GByte (non-ECC/ECC)
GRAPHICS CONTROLLER	Intel® HD Graphics P630 for Xeon® processors Intel® HD Graphics 630 for Core™ processors
ETHERNET CONTROLLER	Intel® I219LM
ETHERNET	10/100/1000 MBit Ethernet
HARD DISK	4x SATA 6Gb/s
FLASH ONBOARD	-
PCI EXPRESS® SUPPORT	8x PCIe x1, 1x PEG x16
PANEL SIGNAL	DDI1: DP++, DDI2: DP++, DDI3: DP++, VGA: -, LVDS: Dual Channel 18/24bit
USB	4x USB 3.0 (incl. USB 2.0) + 4x USB 2.0
SERIAL	2x serial interface (RX/TX only)
AUDIO	Intel® High Definition Audio
COMMON FEATURES	SPI, LPC, SMB, Fast I <sup>2</sup> C, Staged Watchdog, RTC, support of Intel® Optane™ memory technology via PCIe
BIOS	AMI Aptio V
HUMIDITY	93 % relative Humidity at 40° C, non-condensing (according to IEC 60068-2-78)
ON REQUEST	vPRO (AMT/TXT/AES Support), eDP instead of LVDS, VGA, Intel® Mobile HM175 Chipset
POWER MANAGEMENT	ACPI 6.0
POWER SUPPLY	8.5 V - 20 V Wide Range, Single Supply Power
SPECIAL FEATURES	POSCAP capacitors, Trusted Platform Module TPM 2.0, Security Chip, 4k Resolutions, Flexible PEG lane configuration by Setup Option
OPERATING SYSTEM	Windows® 10, Linux, VxWorks
TEMPERATURE	Commercial temperature: 0° C to +60° C operating, -30° C to +85° C non-operating Extended temperature: -25° C to +75° C operating, -30° C to +85° C non-operating
SUPPORTED MODULES	COMe-bKL6 xx-xxxxxx CM238/QM175



## GLOBAL HEADQUARTERS

### KONTRON S&T AG

Lise-Meitner-Str. 3-5  
86156 Augsburg, Germany  
Tel.: + 49 821 4086 0  
Fax: + 49 821 4086 111  
info@kontron.com  
[www.kontron.com](http://www.kontron.com)