

L140TG-3

13.3" Intel® Core™ i5-1135G7 Rugged Laptop



KEY FEATURES

- 11th Gen. Intel® Processor Family – Tiger Lake Processor
- Fanless Cooling System
- 13.3" 1920 x 1080 LED panel with direct optical bonding
- Anti-glare technology for sunlight readability
- Flip design for quick switching between laptop and tablet modes
- Dual battery with hot-swappable design for whole-day-work
- Expansion slot supporting optional 2nd removable SSD and smart card reader

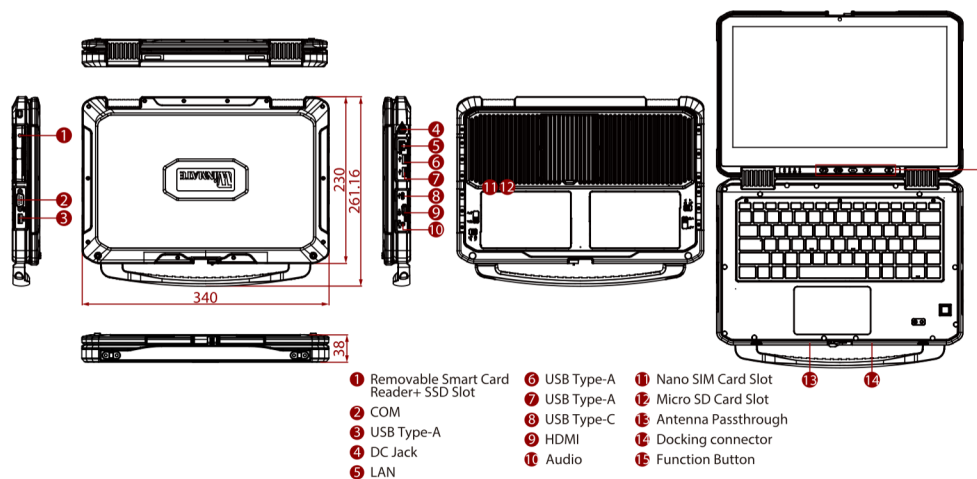


SPECIFICATIONS

Display	
Resolution	1920x1080
Contrast Ratio	1000:1
View Angles	89,89,89,89
Type	Projected Capacitive Multi Touch
Size	13.3 inches
Panel Brightness	500 nits
Bonding	Optical Bonding for Sunlight Viewability
System Specification	
Processor	Intel® Core™ i5-1135G7 @ 2.40GHz, up to 4.20GHz 8M Cache; 4 cores
Storage	256GB M.2 SSD 512GB M.2 SSD (Optional) 1TB M.2 SSD (Optional) 2TB M.2 SSD (Optional) Additional storage available with up to 2TB M.2 (PCIe NVMe) SSD, self-encrypted. (Optional)
Security	Trusted Platform Module (TPM) 2.0 Kensington Lock
WLAN	Support
WWAN	4G LTE (Optional)
RFID	HF RFID (Optional)
Fingerprint Scanner	Fingerprint scanner (Optional)
Memory	8GB SODIMM DDR4-2133 16GB SODIMM DDR4-2133 (Optional) 32GB SODIMM DDR4-2133 (Optional)
Ethernet controller	1 x RJ45-10/100/1000 Mbps LAN
Operating System	Windows 10 IoT Enterprise (64 bit)
BT	Support
GNSS	GPS/GLONASS
Smart Card Reader	Smart Card Reader (Optional)
Camera	
Front Camera	2MP front camera
Rear Camera	8MP rear camera with autofocus and LED light (Optional)
Mechanical	
Dimension	340 x 230 x 38 mm
Weight	2.55kg
Cooling System	Fanless thermal design
IO Ports	
USB Port	1 x USB 2.0 (Type A), 2 x USB 3.0 (Type A), 1 x USB 3.0 (Type C)
Serial Port	1 x RS232 (DB9)
SD Card Slot	1 x Micro SDXC Slot
SIM Card Slot	1 x Nano SIM card slot
Video	1 x HDMI 2.0b
Audio	1 x Audio Jack (mic in/line out)
Expansion Port	1 x Expansion slot for smart card reader and
LAN	1 x RJ45-10/100/1000 GigaLAN port

	removable SSD (Optional)		
Indicator	4x LED Indicator for Power, Battery, HDD, RF status	Docking Connector	1 x docking connector
Environment			
Operating Humidity	10% to 90% RH, non-condensing	Operating Temperature	-20°C to 60°C (AC mode), -10°C to 50°C (Battery mode)
Storage Temperature	-30°C to 70°C	Shock	MIL-STD-810H Method 516.8 Procedure I
Vibration	MIL-STD-810H Method 514.8 Procedure I	IP rating	IP65 certified, dustproof and waterproof
Drop	MIL-STD-810H Method 516.8, 3 ft		
Certification			
Certification	CE, FCC		
Security Function			
SOTI MobiControl	SOTI MobiControl Compliance	Kensington Lock	Kensington Lock Support
Control			
Button	1 x Power, 2 x volume key, 2 x Programmable Function Keys		
Power			
Battery	Hot-swappable 2 x 10.8V typ. 2400 mAh Li-Polymer Battery (3S1P)	Battery Operating Time	Standard Battery: 9 hours
Power Rating	19V DC	Adapter	100-240V, 50-60Hz (19V DC)
Accessory			
Accessory	Adapter and Power Cord Standard Battery	Optional Accessory	Spare Battery (Optional) Battery Charger (Optional) Vehicle Charger (Optional)
Barcode Scanner			

DIMENSIONS UNIT:MM



NOTE

/ Disclaimer /

1. Accessories and Integrated Options may vary depending on your configuration.
2. Total usable memory and storage will be less dependent upon actual system configuration.
3. The actual transfer speed will vary depending on many factors including the processing speed of the host device, file attributes, and other factors related to the system configuration and your operating environment.
4. The USB Type-C connector follows USB 3.0 standard, which does not support Alternate Mode (ALT) or USB Power Delivery (USB-PD).
5. The battery life is measured at dimming LCD brightness. Varies depending on the usage conditions, or when an external device is attached.
6. The 2D drawing is simplified drawing and some components are not marked in detail.
7. Length measurements do not include protrusions. Weight varies with options.
8. TPM 2.0 available upon request.
9. SOTI is available upon request.
10. The product shown in this datasheet is a standard model. For diagrams that contain customized or optional I/O, please contact the Winmate Sales Team for more information.